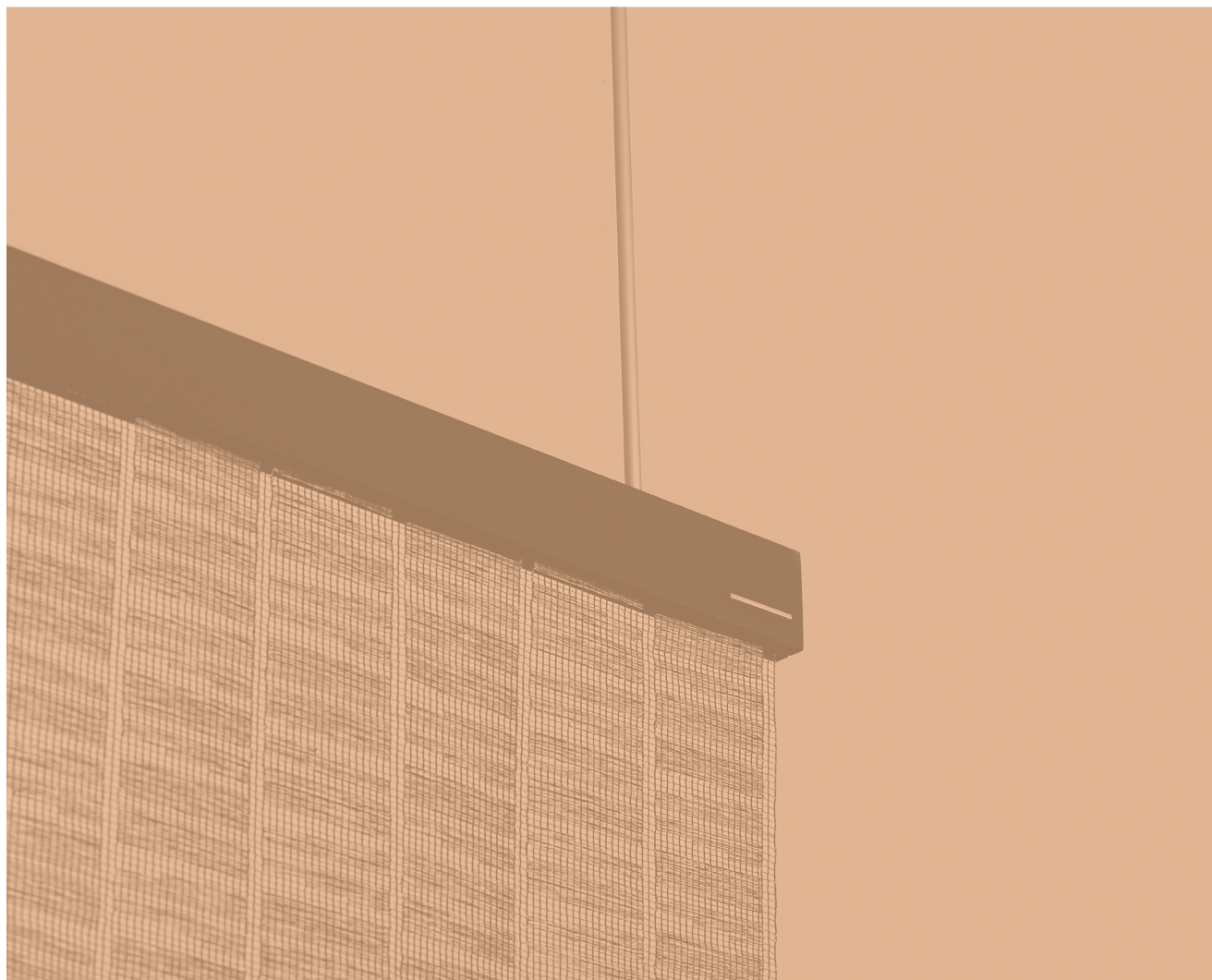


Carnegie Beam



Before Getting Started

Check Your Shipment

Make sure you received everything you ordered. Please let us know if you have any questions or concerns by calling 1-800-727-6770 or visiting carnegiefabrics.com

Decide on Ceiling Mounting Materials

Because ceilings are made of a wide range of materials, you will need to plan how to attach the Beam Rods to the ceiling and provide those materials. Beam Fixture is designed for fabric suspension. Plan to support up to 5 lbs of fabric, or 8 lbs when using just top beam. Please take your ceiling material into account when deciding how to hang the Beam Fixture (anchor screw not included).

The maximum fabric width is 48" and the maximum thickness is 1/8".

We recommend suspending the height up to 14'.

Tips for Installation

If you wish to prevent swaying, you will want to plan for the final beam position to rest 1/4" off the floor. This allows the countersunk washer and magnetic anchor to be most effective.

Final leveling tweaks can be made by loosening the screw within the deco anchors, allowing the rods to move up or down by a 1/4".

Packaged Components



Beam
Side A & B



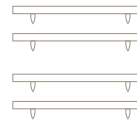
Ceiling Suspension Rods
2 for top beam



Ceiling Connectors
1 for each rod



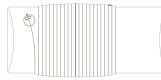
Rod Anchors
1 for each rod



Decorative Metal*



Allen Key
For anchor



Thread with Bead



Bead
6" Sewing Needle

Components for Bottom Beam



Countersunk Screw
2 for bottom beam



Countersunk Washer
2 for bottom beam



Magnetic Anchors
2 for bottom beam

Additional Tools Needed

2 ceiling anchor screws

Saw or pipe cutter

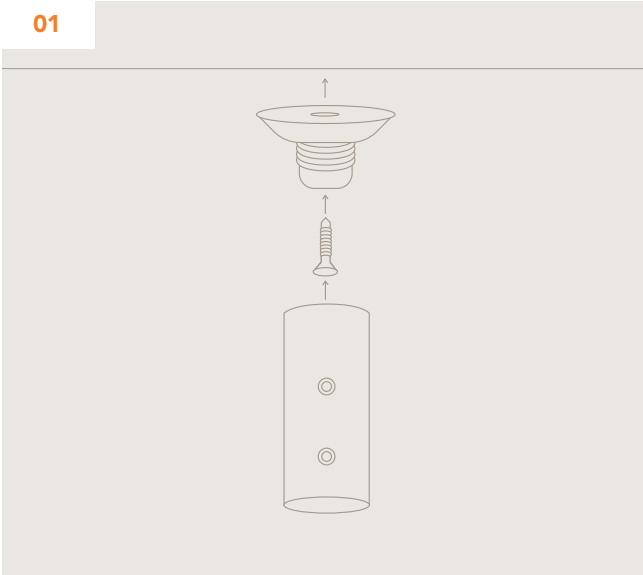
File

Rubber or metal hammer

* Additional Decorative Metal Accent bars (4 pack) can be purchased separately.

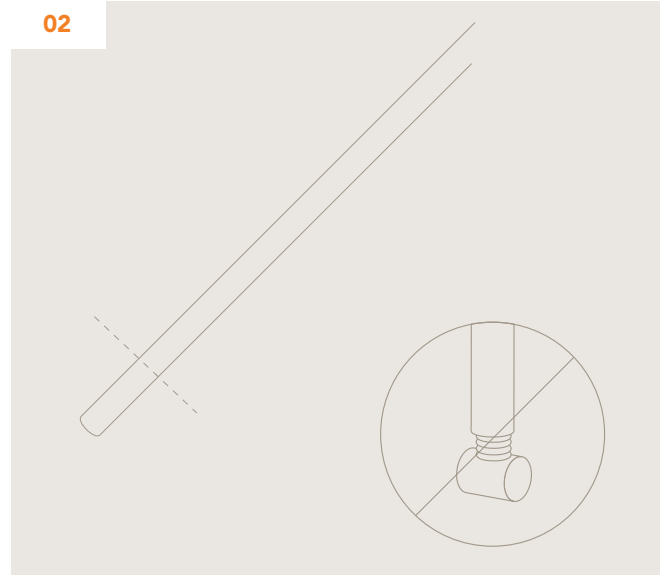
Installation Steps

01



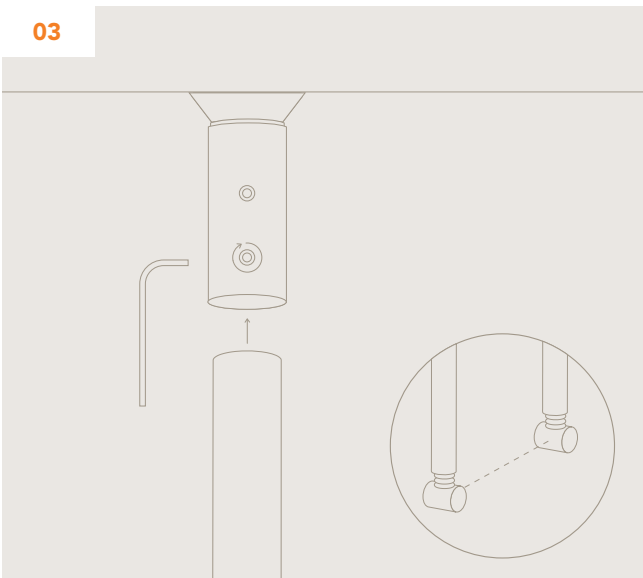
Screw the ceiling connectors to the ceiling at the two points that you have located. They should be 39" apart center to center. Screw the suspension rod anchors to the ceiling connectors.

02



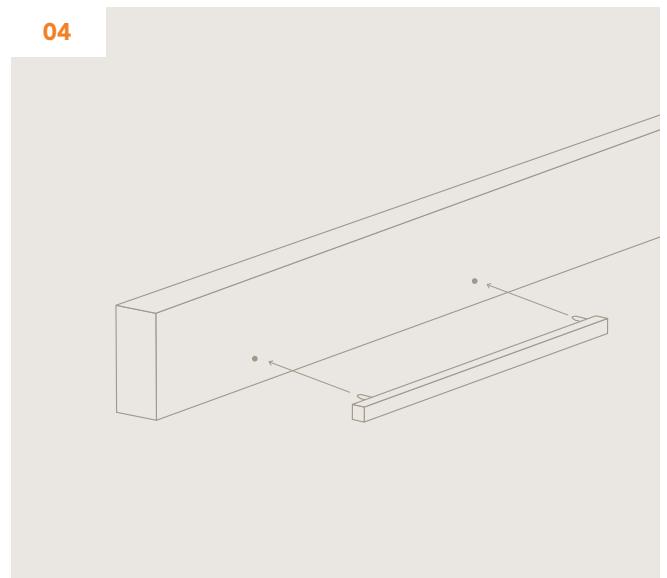
Determine the distance from the ceiling to the top of the Beam and add $\frac{1}{4}$ ". Making sure to not cut off the threaded end, cut the suspension rods to that length. **Optional** File the sharp edge of the fresh cut so that suspension rod can be inserted into the anchor.

03



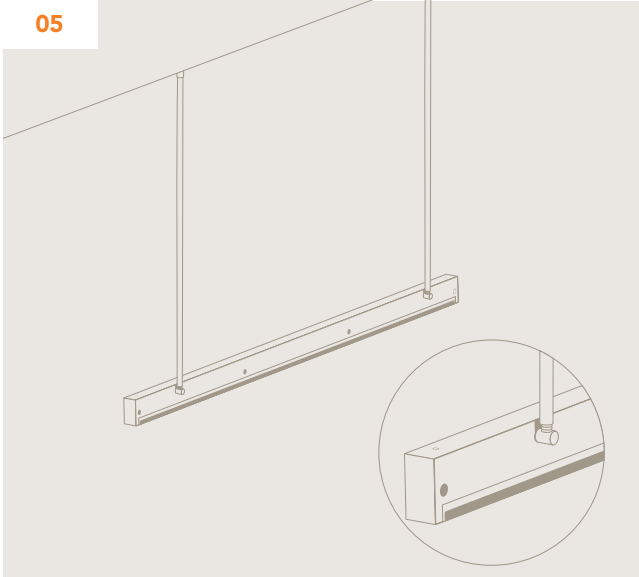
Push the suspension rod all the way into the rod anchor. Confirm that the magnetic cylinder is facing outward and perpendicular to the beam plane. Tighten the set screws with provided Allen key to lock the suspension rod in place. Repeat with second suspension rod. Final leveling can be achieved by adjusting rod anchors at end of installation.

04



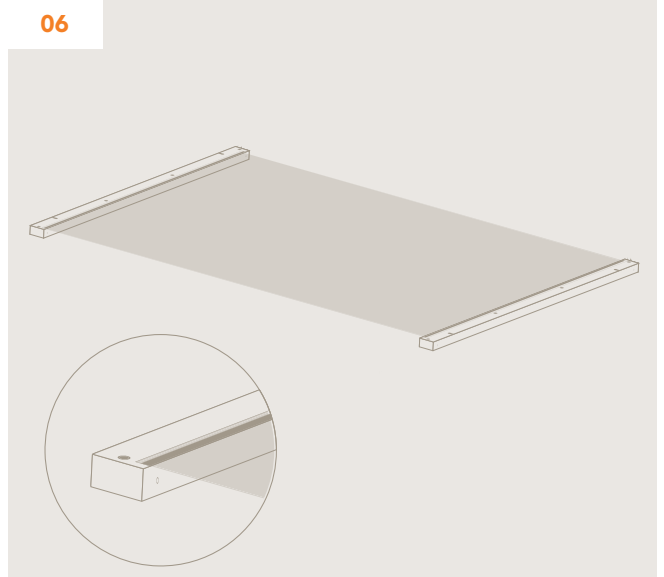
Lightly hammer (either with a rubber hammer or if using metal hammer, protect the metal accent from any damage) the 4 metal accents in any of the two designated pinholes on each strip. Placement options: 1) Top both sides. 2) Top & bottom one side. 3) Bottom both sides. 4) None.

05



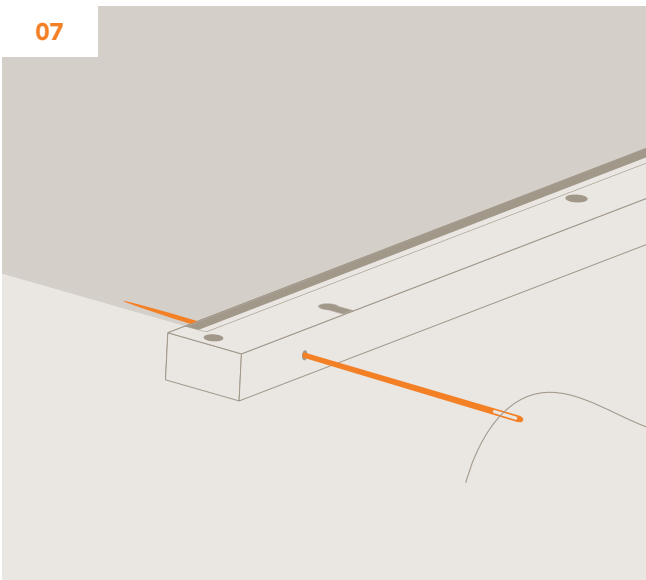
Position the Beam side A (that has no adhesive strip) so that the cylinder at the end of the suspension rods are inserted into the two holes of the Beam. (Special Note: Magnets are inset to attach to the cylinders). The beam side A that has no adhesive strip will now be attached to the suspension rods via magnets.

06



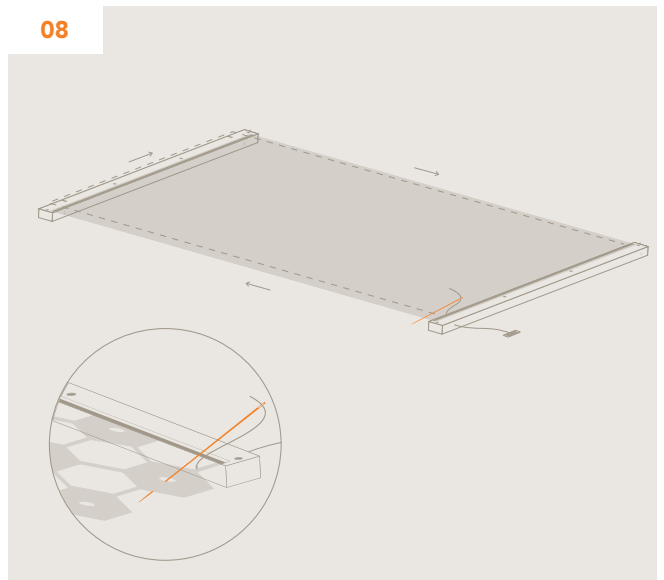
Lay the other Beam side B (that has the adhesive strip) on a clean surface and remove the protective strip. Cut a clean straight line on the top edge of the fabric. Line up top edge of fabric with top edge of groove and adhere it to the adhesive strip. Measure length of system including fabric and fixture to determine the length of the fabric. *If not using bottom Beam, proceed to part 2 of step 10 to complete.*

07

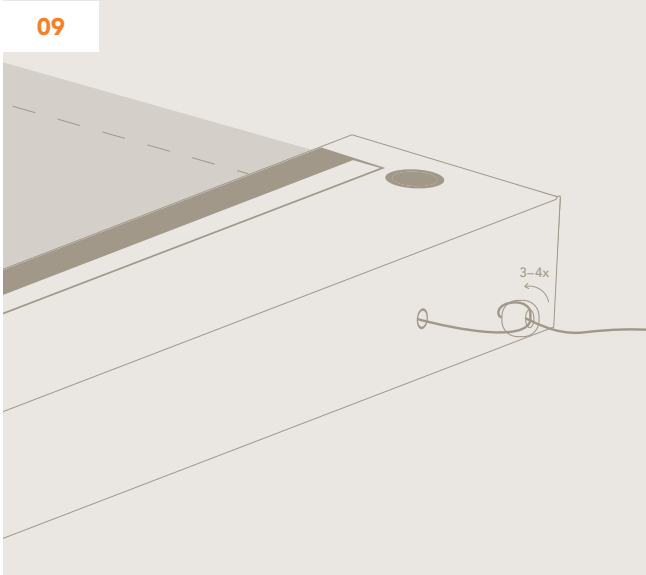


Place the bottom of the fabric on the adhesive strip on side B of the bottom Beam. Feed approx 8"-10" of thread through the sewing needle and insert the needle into the hole at the one of the ends of Beam. Note, keep the thread on the spool to prevent tangling.

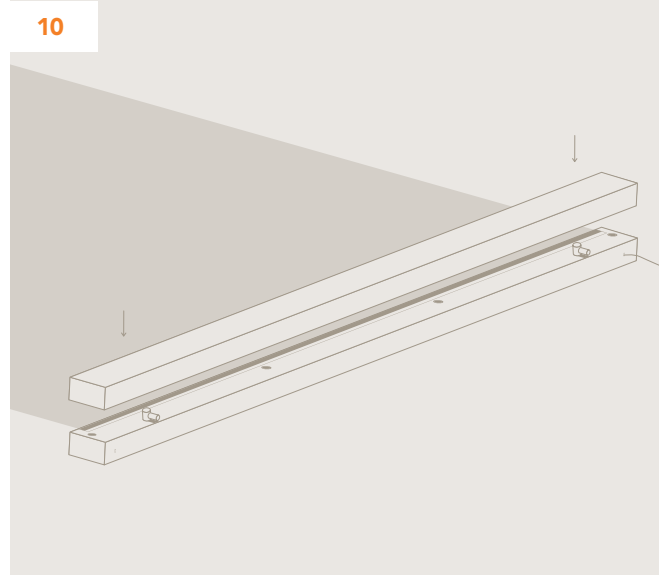
08



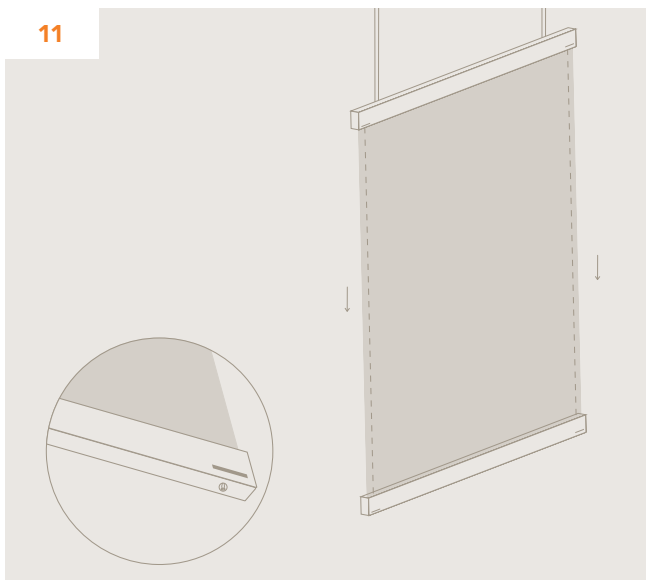
Once the needle and thread is completely through the hole, weave the needle through the edge of the fabric until you get to the top Beam. Insert the needle and thread into the hole at the end of the top Beam, run the thread across the top of the Beam and insert the needle through the hole at the end and weave through the edge of the fabric to the bottom Beam.



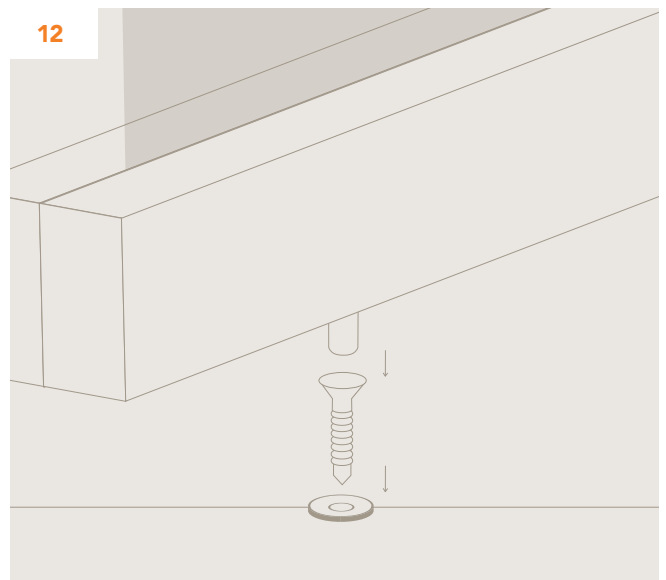
Insert the needle and thread through the hole at the end of the bottom Beam and remove the needle from the thread. Pull the top and bottom Beams apart to the full length of the fabric and adjust the thread as needed. The thread should be slightly taugth along all sides. At the bottom Beam, feed the end of the loose thread through the bead and re-loop through 3 or 4 times to prevent the bead from sliding off.



Part 1 Insert the magnetic anchors into the holes on side B of the bottom Beam. Align side A and B and allow the magnets to clamp both sides shut to hold the fabric in place. **Part 2** Repeat with sides A and B of the top Beam, allowing the magnets to clamp both sides shut resulting in the panel of fabric to be vertically suspended from the ceiling.



If panel is uneven at the bottom or not at the desired length, gently pull thread along the edges of the fabric panel until even. Adjust the bead at the bottom of the Beam (you may have to unloop the thread from the bead) so it's flush. Re-loop the thread through the bead approximately 3 or 4 times to prevent the bead from sliding off and cut off the excess thread.



Optional You can screw the countersunk washer to the floor in line with the magnetic anchors on the bottom of the beam. They should be 39" apart center to center. This will allow the magnetic anchors to hold the fabric in a specific position and help prevent it from swaying back-and-forth.

Contact Us

Email
service@carnegiefabrics.com

Phone
1-800-727-6770