

Substrates + Acoustical Performance

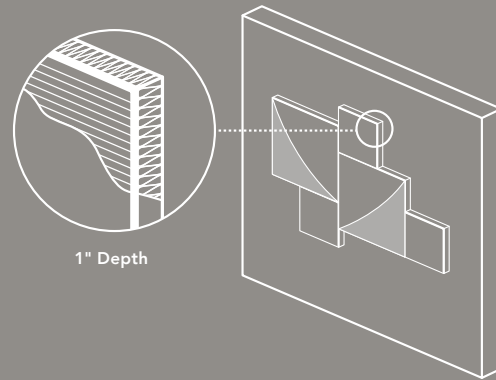
Quiet-Core™

This acoustical substrate is sound absorbing, formaldehyde-free and manufactured with 20% post-consumer recovered materials. It is available in a 1" thickness and used for all 3D shapes. It meets ASTM E84 Class A/Class 1.

Not recommended as a tackable surface.

Acoustical Performance

250Hz	.35
500Hz	.97
1000Hz	.91
2000Hz	.49
4000Hz	.35
NRC	.70

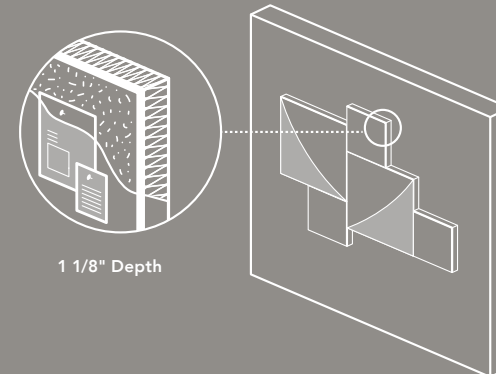


Quiet-Core Plus™

Quiet-Core Plus is a tackable and acoustical solution. Constructed with a 1/8" high density substrate of inorganic minerals & wool blend fastened to the face of the standard Quiet-Core panel. **This panel provide tackability and exceptional acoustical performance.** Also ideal for high traffic areas.

Acoustical Performance

250 Hz	.53
500 Hz	1.07
1000 Hz	.92
2000 Hz	.68
4000 Hz	.55
NRC	.80



Mi-Core™

This **tackable** substrate offers moderate acoustical properties. Mi-Core is constructed with inorganic minerals and fibers making it resistant to moisture and warping. **Mi-Core is a dense material recommended for high traffic areas.** It is available in 1/2" & 3/4" thickness. It meets ASTM E84 Class A/Class 1.

3D shapes are not available in Mi-Core Substrate.

Acoustical Performance

250Hz	.18
500Hz	.31
1000Hz	.36
2000Hz	.41
4000Hz	.46
NRC	.30

