

Substrates and Acoustical Performance

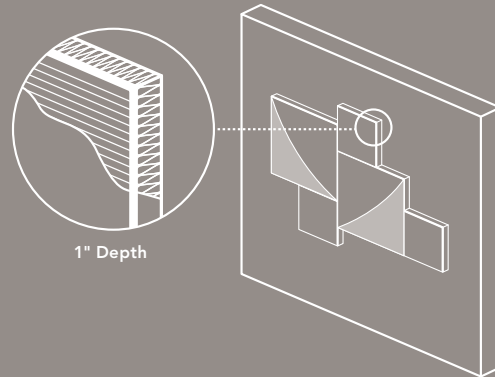
Quiet-Core™

This acoustical substrate is sound absorbing, formaldehyde-free and manufactured with 20% post-consumer recovered materials. It is available in a 1" thickness and used for all 3D shapes. It meets ASTM E84 Class A/Class 1.

Not recommended as a tackable surface.

Acoustical Performance

| | |
|------------|------------|
| 250Hz | .35 |
| 500Hz | .97 |
| 1000Hz | .91 |
| 2000Hz | .49 |
| 4000Hz | .35 |
| NRC | .70 |

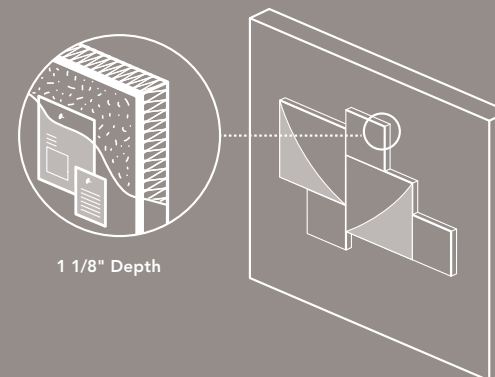


Quiet-Core Plus™

Quiet-Core Plus is a tackable and acoustical solution. Constructed with a 1/8" high density substrate of inorganic minerals & wool blend fastened to the face of the standard Quiet-Core panel. **This panel provide tackability and exceptional acoustical performance.** Also ideal for high traffic areas.

Acoustical Performance

| | |
|------------|------------|
| 250 Hz | .53 |
| 500 Hz | 1.07 |
| 1000 Hz | .92 |
| 2000 Hz | .68 |
| 4000 Hz | .55 |
| NRC | .80 |



Mi-Core™

This **tackable** substrate offers moderate acoustical properties. Mi-Core is constructed with inorganic minerals and fibers making it resistant to moisture and warping. **Mi-Core is a dense material recommended for high traffic areas.** It is available in 1/2" & 3/4" thickness. It meets ASTM E84 Class A/Class 1.

3D shapes are not available in Mi-Core Substrate.

Acoustical Performance

| | |
|------------|------------|
| 250Hz | .18 |
| 500Hz | .31 |
| 1000Hz | .36 |
| 2000Hz | .41 |
| 4000Hz | .46 |
| NRC | .30 |

