

Drop Ceiling Vertically Suspended Acoustical Baffles

Using Hanging Rods



Before Getting Started

Check Your Panels

Make sure you received everything you ordered. Please let us know if you have any questions or concerns by calling 1.800.727.6770 or visiting xorelartform.com.

Prep Your Work Area

Clear the area of all furniture. If the room where the baffles are going to be installed has a hard floor, clean the floor, or cover it in construction paper to protect the panels when laying them face down.

Note

If there are obstructions on the ceiling (water pipes, electrical boxes, etc), individual hanging rods can be relocated 1/4" to 1/2" off center.

We recommend having a rendering/layout of the final design on site for reference during installation.

Packaged Components



Xorel Artform
Baffles



Stickers



T-Bar clip
2 for each baffle



Bending Tool



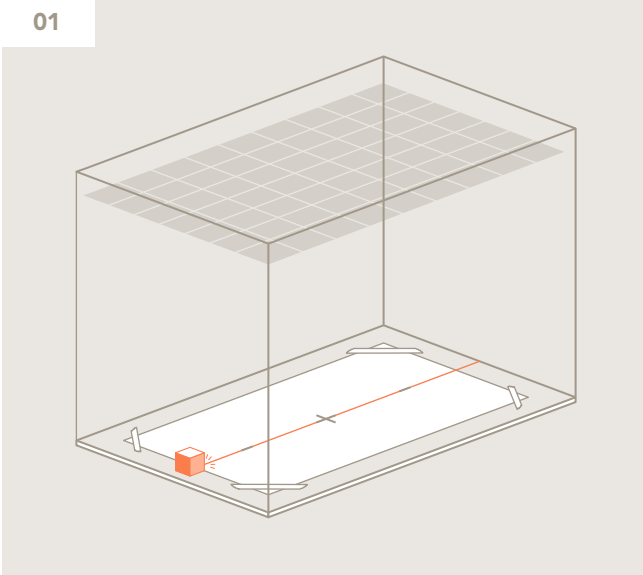
3' (w) x 1/8" (d)
2 for each baffle

Additional Tools Needed

Vertical Spot Laser
Wide Field Laser
Ceiling Mounting Materials
Wirecutters
Pliers

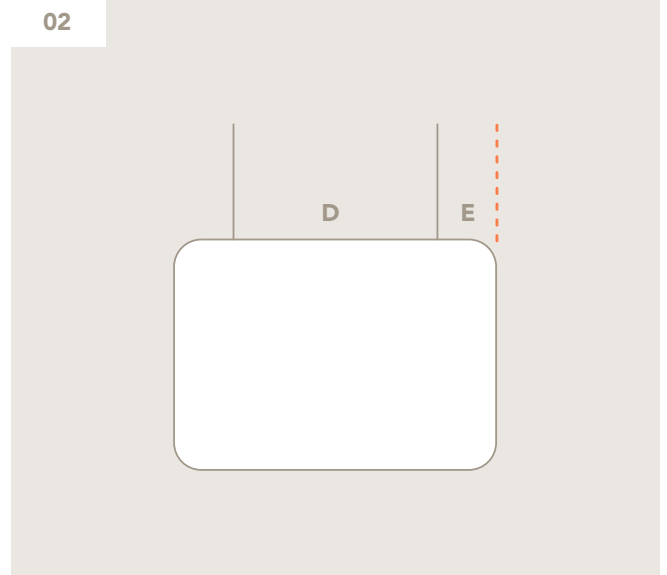
Installation Steps

01



Set a reference line on the floor.

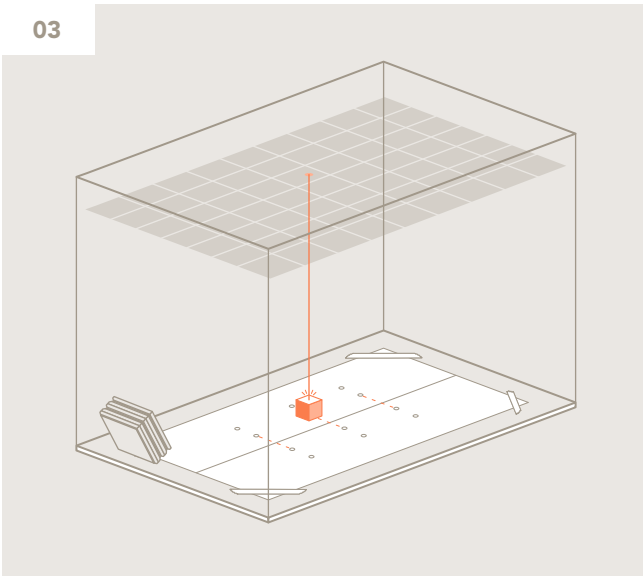
02



Reference chart within this guide and note the hanging point measurements (D and E) for the shape and size baffle being installed.

D = distance between each hanging rod (aka center points)
E = distance between the end of the baffle and closest hanging rod (aka outer points)

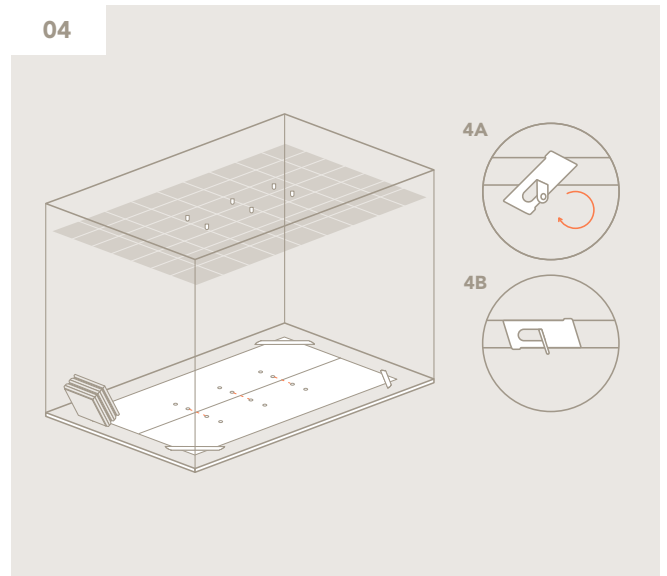
03



Using either the stickers provided or tape, begin marking the anchor points on the floor using the (E) measurements, directly under the location the baffle will be installed. Repeat until each baffle is accounted for.

Place the vertical spot laser on top of each center point sticker/tape, and mark the anchor points on the dropped ceiling grid (2 points per baffle). Repeat until the center points of each baffle are marked on the grid.

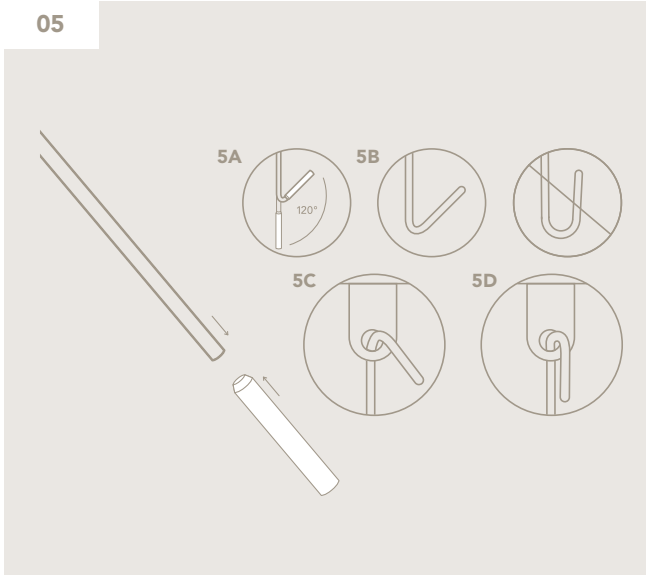
04



Once both points have been marked, use measurement (D) to ensure the accuracy of spacing between anchor points. Attach all the T-Bar clips to the anchor point on the grid by pressing upward and twisting (4A, 4B). Ensure the T-Bar clip is locked in place.

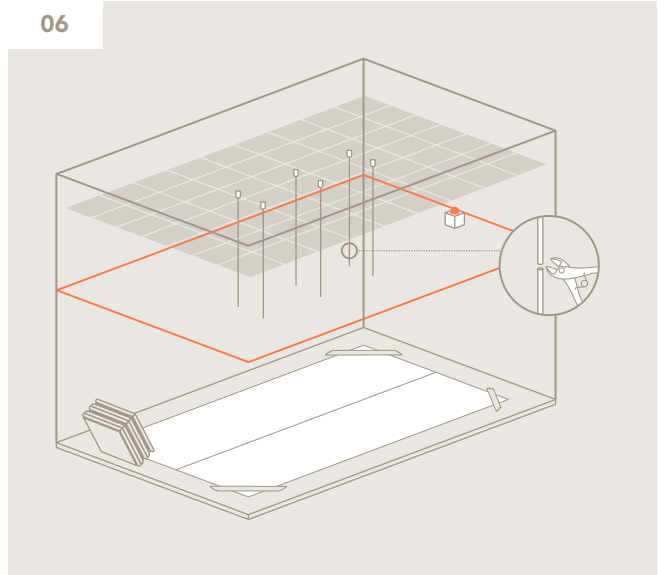
Repeat until all the T-Bar clips are attached to the ceiling.

05



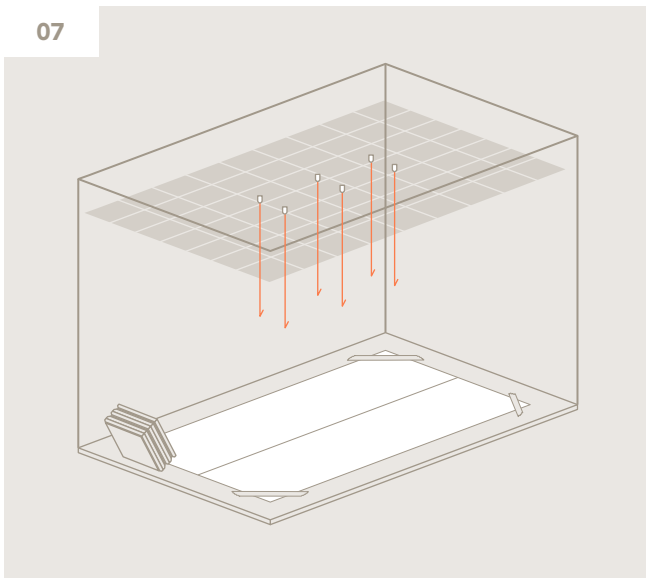
Insert a hanging rod into the bending tool as far as it will go, and bend the end of the hanging rod approximately 120 degrees (5A) forming a "V" shape (5B). Install the hanging rod onto the T-Bar clip (5C), and close the top bent end with pliers (5D). Repeat until all hanging rods are installed.

06



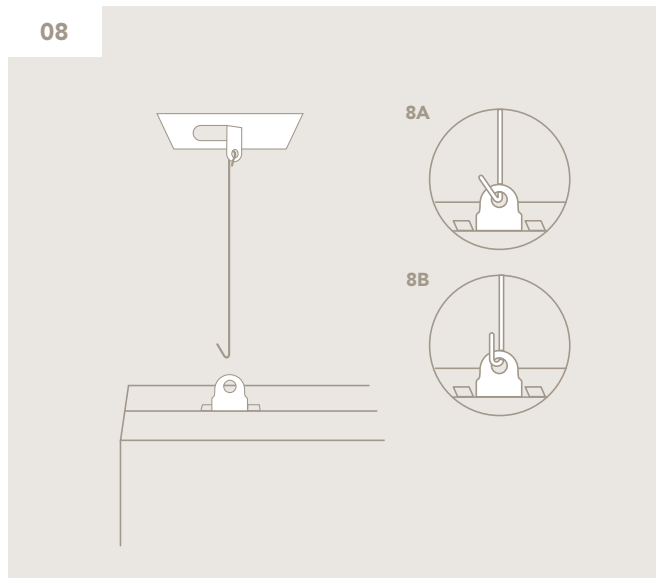
Set the wide field laser at the C measurement and cut each hanging rod. Reference chart within this guide for the (B) measurement of the shape and size baffle being installed. Calculate the sum of the (B) measurement and desired finished suspended baffle baseline height (A). Once determined (B+A) subtract that number from current ceiling height, this will determine the cut length (C) of the installed rods.

07



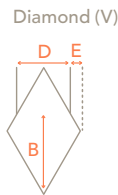
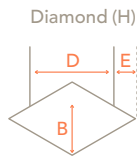
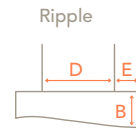
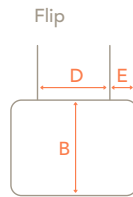
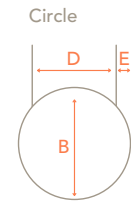
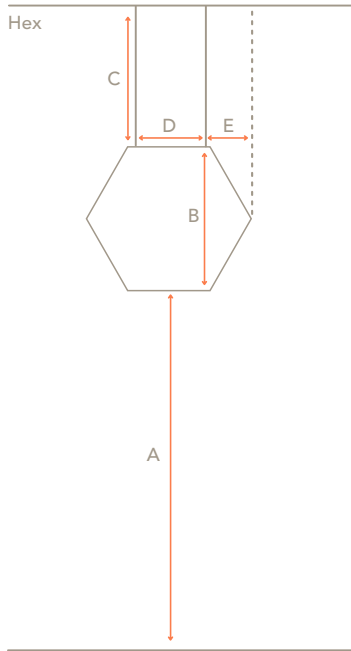
Once all rods have been cut to desired length, use the bending tool to bend the bottom of each hanging rod approximately 120 degrees, forming a "V" shape.

08



Hang the baffle onto the bent end of the hanging rods (8A). Once the baffle is in place, close the bent end with pliers (8B)

Installation Measurements



- (A) Distance between finished baffle baseline height and floor
- (B) Height of baffle shape from bottom edge to hanging point
- (C) Length of cut rod
- (D) Distance between each hanging rod (aka center points)
- (E) Distance between end of baffle and closest hanging rod (aka outer points)

	Panel Width (inches)	D	E	B
Circle	24 (L)	14	5	21.25
	30 (XL)	18	6	26.5
	40 (2XL)	24	8	35.5
	47.5 (3XL)	28.5	9.5	42.25
Diamond (H)	32 (L)	19	6.5	12.5
	40 (XL)	24	8	15.75
	47.5 (2XL)	28.5	9.5	18.75
Diamond (V)	18.5 (L)	11	3.75	22
	23 (XL)	14	4.5	28.5
	27.5 (2XL)	16.5	5.5	32.75
Flip	24 x 16 (L)	14	5	15.5
	24 x 24 (XL)	14	5	23.5
	48 x 16 (2XL)	29	9.5	15.5
	48 x 24 (3XL)	29	9.5	23.5
Hex	24 (L)	14	5	18.5
	32 (XL)	19	6.5	24.5
	40 (2XL)	24	8	30.75
	47.5 (3XL)	28.5	9.5	36.5
Ripple	48 x 16	24	12	15.5

Contact Us

Email
info@xorelartform.com

Phone
1-800-727-6770

All Xorel fabrics are C2C Certified.
Visit xorelartform.com for more information.

© 2019 Carnegie Fabrics, Inc. Printed on recycled paper.
Xorel is a registered trademark of Carnegie Fabrics Inc.
Xorel registered trademark and license to distribute is granted by permission of Carnegie Fabrics Inc. USA