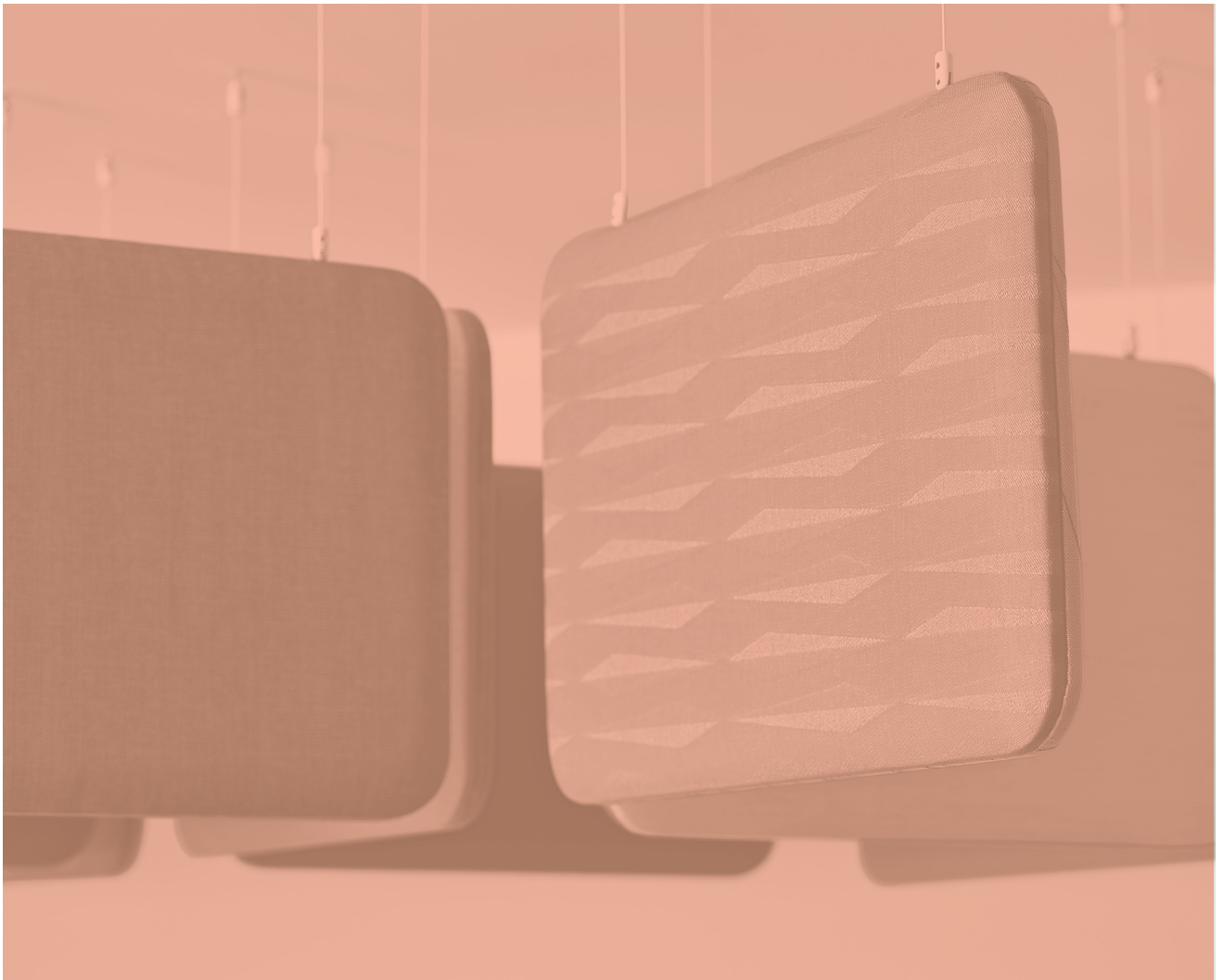


# Ceiling Vertically Suspended Acoustical Baffles Using Cables



# Before Getting Started

## Check Your Panels

Make sure you received everything you ordered. Please let us know if you have any questions or concerns by calling 1.800.727.6770 or visiting [xorelartform.com](http://xorelartform.com).

## Prep Your Work Area

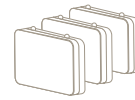
Clear the area of all furniture. If the room where the baffles are going to be installed has a hard floor, clean the floor, or cover it in construction paper to protect the panels when laying them face down.

## Note

If there are obstructions on the ceiling (water pipes, electrical boxes, etc), the cables can be relocated 1/4" to 1/2" off center.

We recommend having a rendering/layout of the final design on site for reference during installation.

## Packaged Components



Baffles with  
Pendants Attached



Stickers



Pendant with  
Screw Eyes &  
Rawl Plugs  
*2 for each baffle*



Allen Key &  
Set Screw  
*2 screws per baffle*



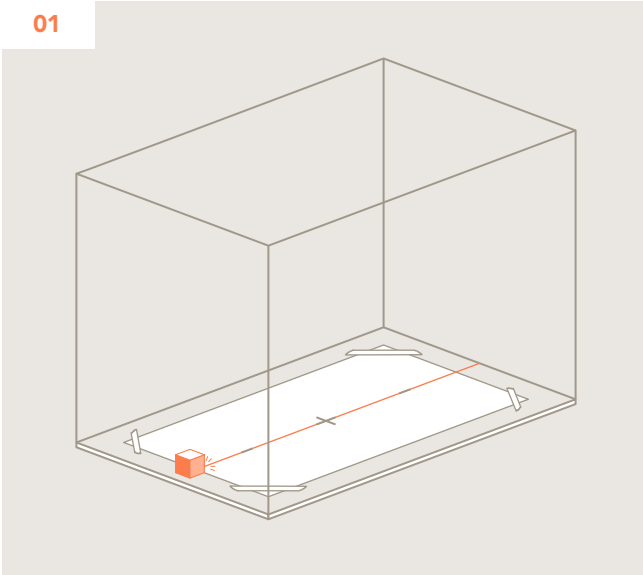
12' Coated Wire  
*2 for each baffle*

## Additional Tools Needed

Vertical Spot Laser  
Wide Field Laser  
Ceiling Mounting Materials  
Wirecutters  
Pliers

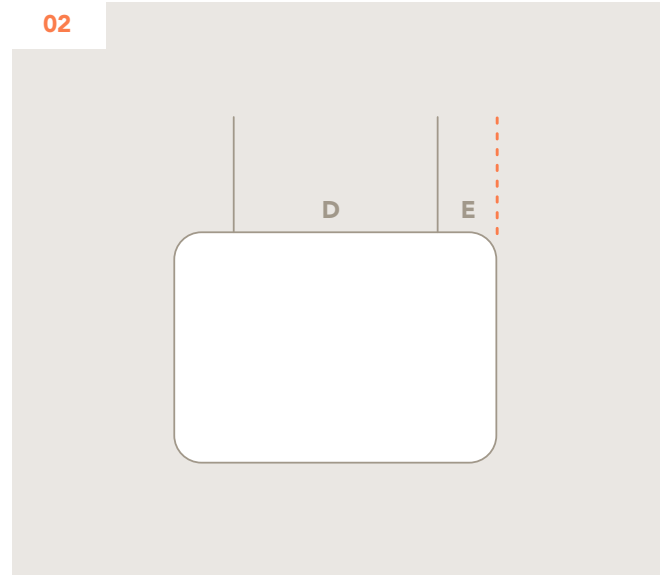
# Installation Steps

01



Set a reference line on the floor.

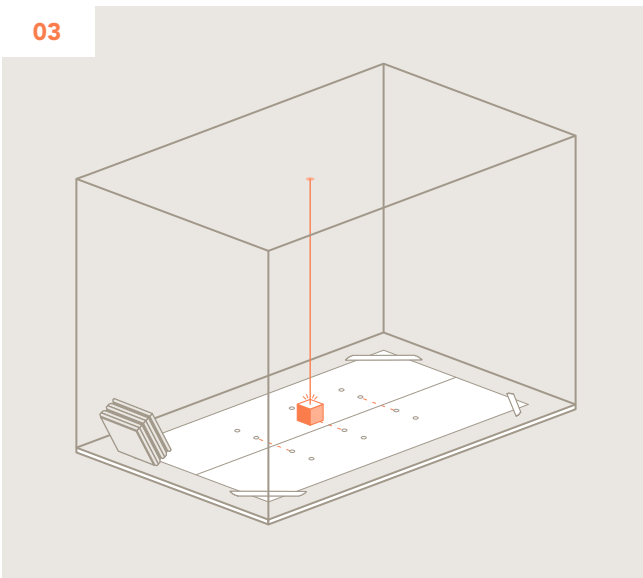
02



Reference chart within this guide and note the hanging point measurements (E) for the shape and size baffle being installed.

D = distance between each hanging cable (aka center points)  
E = distance between the end of the baffle and closest hanging cable (aka outer points)

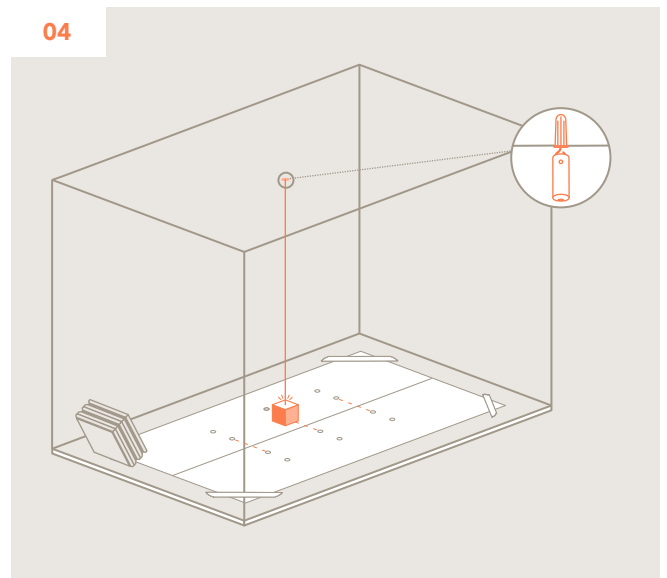
03



Using either the stickers provided or tape, begin marking the anchor points on the floor using the (E) measurements, directly under the location the baffle will be installed. Repeat until each baffle is accounted for.

Place the vertical spot laser on top of each center point sticker/tape, and mark the anchor points on the ceiling (2 points per baffle).

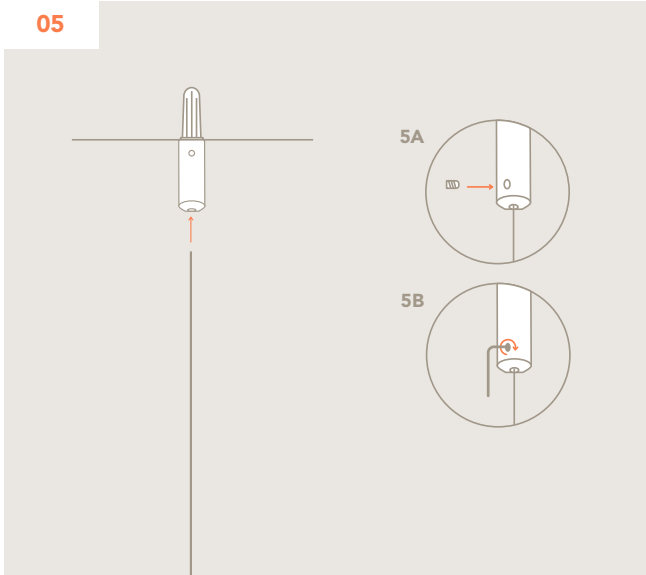
04



Once both points have been marked, use measurement (D) to ensure the accuracy of spacing between anchor points. Attach a rawl plug and pendant screw eye to each center point on the ceiling.

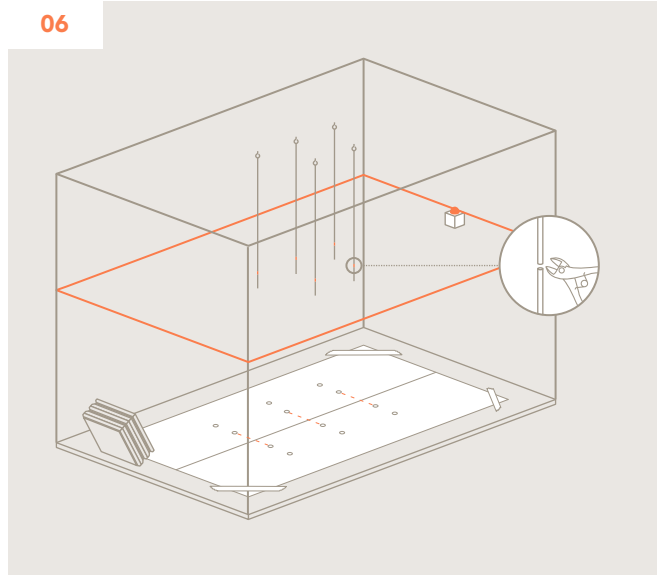
Repeat until the all rawl plugs and pendant screw eyes are attached to the ceiling.

05



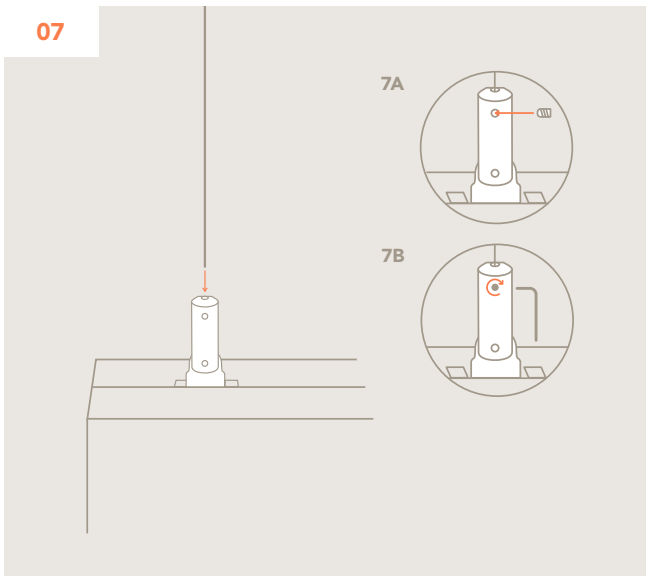
Insert one end of the cable into the pendant attached to the ceiling. Secure the cable using the setting screw and allen key.

06



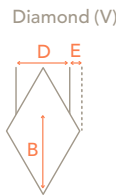
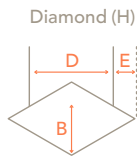
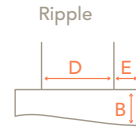
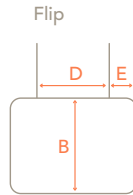
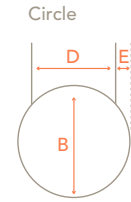
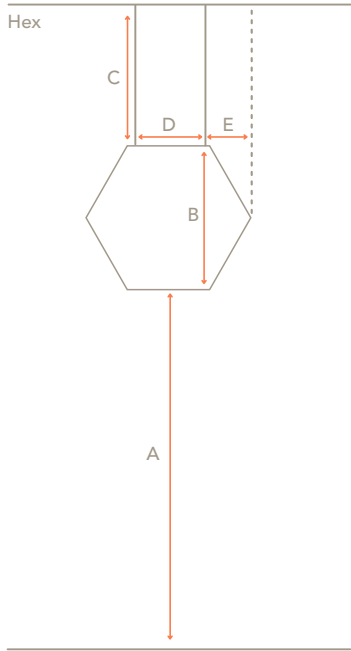
Set the wide field laser at the C measurement and cut each cable. Reference chart within this guide for the (B) measurement of the shape and size baffle being installed. Calculate the sum of the (B) measurement and desired finished suspended baffle baseline height (A). Once determined (B+A) subtract that number from current ceiling height, this will determine the cut length (C) of the installed cables.

07



Insert the end of the cable into the pendants attached to the baffle. Secure the cable using the set screw and allen key.

**Installation Measurements**



- (A) Distance between finished baffle baseline height and floor
- (B) Height of baffle shape from bottom edge to hanging pendant
- (C) Length of cut cable
- (D) Distance between each hanging cable (aka center points)
- (E) Distance between end of baffle and closest hanging cable (aka outer points)

	Panel Width (inches)	D	E	B
<b>Circle</b>	24 (L)	14	5	22.25
	30 (XL)	18	6	27.5
	40 (2XL)	24	8	36.5
	47.5 (3XL)	28.5	9.5	43.25
<b>Diamond (H)</b>	32 (L)	19	6.5	13.5
	40 (XL)	24	8	16.75
	47.5 (2XL)	28.5	9.5	19.75
<b>Diamond (V)</b>	18.5 (L)	11	3.75	23
	23 (XL)	14	4.5	29.5
	27.5 (2XL)	16.5	5.5	33.75
<b>Flip</b>	24 x 16 (L)	14	5	16.5
	24 x 24 (XL)	14	5	24.5
	48 x 16 (2XL)	29	9.5	16.5
	48 x 24 (3XL)	29	9.5	24.5
<b>Hex</b>	24 (L)	14	5	19.5
	32 (XL)	19	6.5	25.5
	40 (2XL)	24	8	31.75
	47.5 (3XL)	28.5	9.5	37.5
<b>Ripple</b>	48 x 16	24	12	16.5

## Contact Us

Email  
[info@xorelartform.com](mailto:info@xorelartform.com)

Phone  
1-800-727-6770

All Xorel fabrics are C2C Certified.  
Visit [xorelartform.com](https://xorelartform.com) for more information.

© 2019 Carnegie Fabrics, Inc. Printed on recycled paper.  
Xorel is a registered trademark of Carnegie Fabrics Inc.  
Xorel registered trademark and license to distribute is granted by permission of Carnegie Fabrics Inc. USA