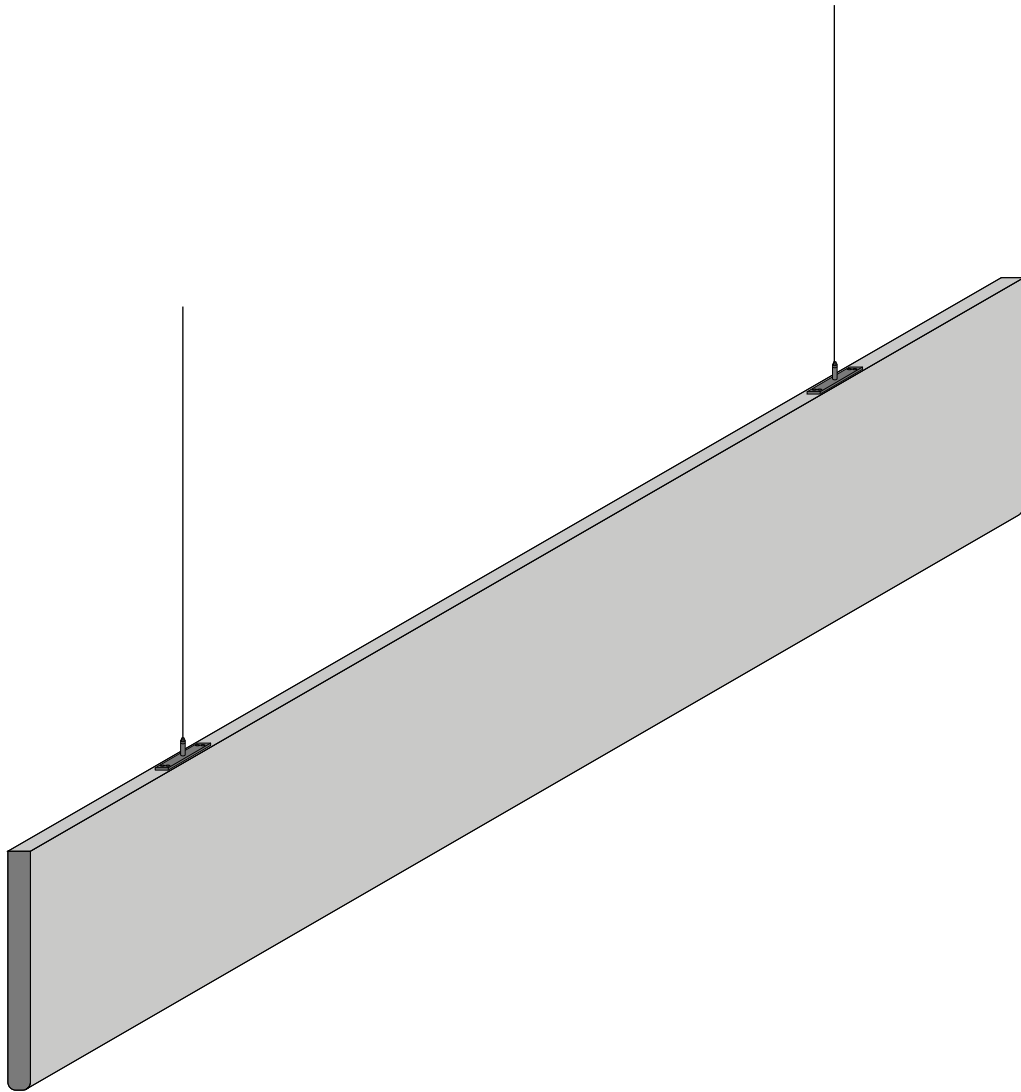


U BAFFLE

INSTALLATION GUIDE



Xorel
ARTFORM®

IMPORTANT INFORMATION

Installation

Please read the entire Installation Guide prior to application. This installation guide is intended to provide installers with helpful information regarding U Baffles prior to installation. Carnegie Acoustic Solutions accepts no responsibility for installation actions taken or not taken. This installation guide is not intended to be an in-depth guide; installer's knowledge as an experienced tradesman needs to be applied.

If you have questions about application or techniques, contact Carnegie Acoustic Solutions. Carnegie Acoustic Solutions will not be responsible for any cutting or mounting not performed by Carnegie Acoustic Solutions.

Terms of Trade

All U Baffle products are inspected prior to shipment. Carnegie Acoustic Solutions is not responsible for damage in shipment or in storage; customers should carefully inspect all items at time of delivery and note any obvious damage on the delivery receipt. For the customer's protection subsequently discovered concealed damage must be reported immediately to the carrier. Claims to Carnegie Acoustic Solutions will not be considered if the sheet has been worked on by the customer or others. No claims for labor charges will be allowed in any circumstances.

Work Safety

In the interest of work safety, it is recommended that people working with U Baffles wear the appropriate safety equipment. Although the product emits zero off-gases, masks and gloves should be worn to ensure the maximum possible safety precautions. For an SDS form, please contact Kirei.

Product Notes

U Baffle's acoustic performance will alter based on a variety of factors including spacing between baffles. U Baffles have a grain that can reflect light differently, looking slightly lighter or darker depending on placement.

Cleaning & Handling

Do not store U Baffles vertically, please store laying flat. We recommend using a clean cloth to wipe down the metal end caps after installation to remove any fingerprints.

See the [Handling and Cleaning Guide](#) for more information.

U Baffle Specs

See the [U Baffle Spec Sheet](#) for product details and information.

Product & Installation Questions

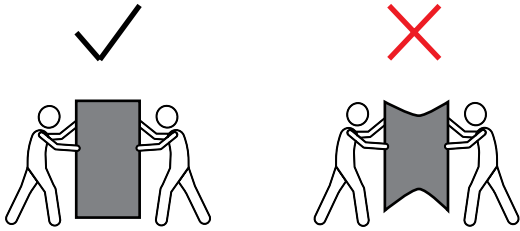
PH: 800.727.6770

Email: acousticsolutions@carnegiefabrics.com

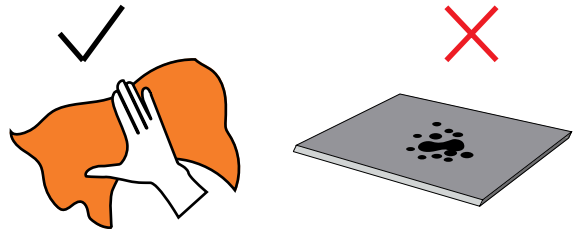
Web: carnegieacousticsolutions.com

HANDLING

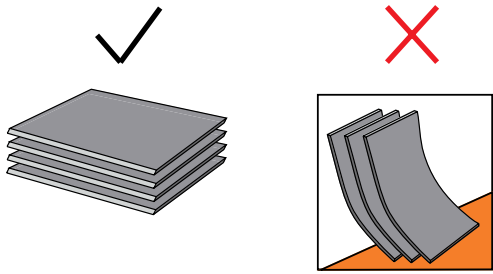
Carry boxes and products upright.



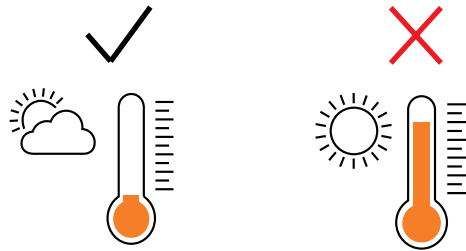
Keep all surfaces clean for storage and fabrication.



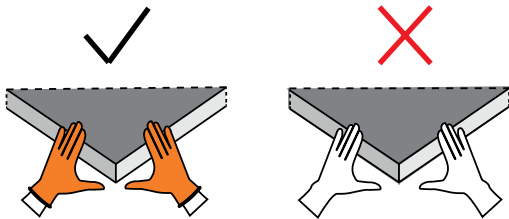
Store boxes and products flat.



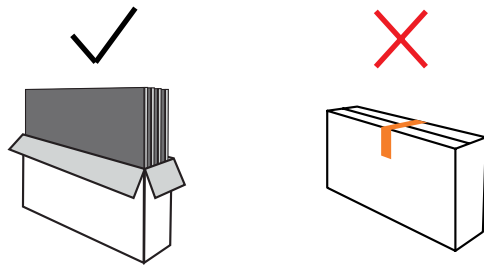
Store in a cool, dry place with no direct sun. Avoid 145 degree temperatures or greater.



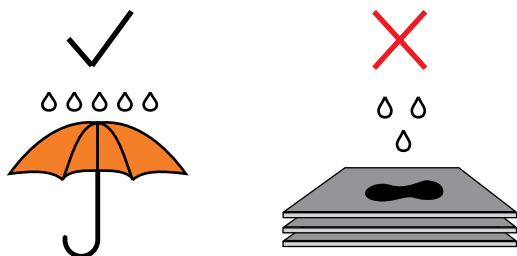
Wear gloves for handling light colors.



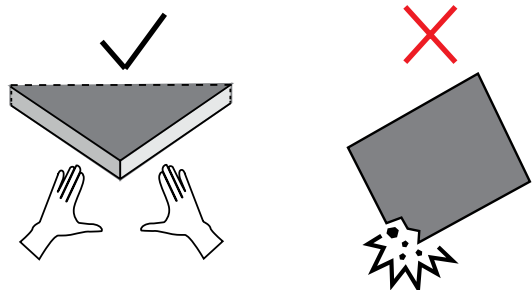
Upon delivery, inspect all goods for order corrections and damage.



Keep product dry and avoid humidity.

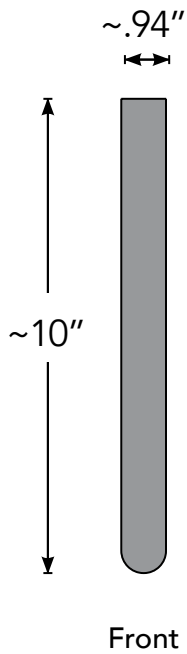
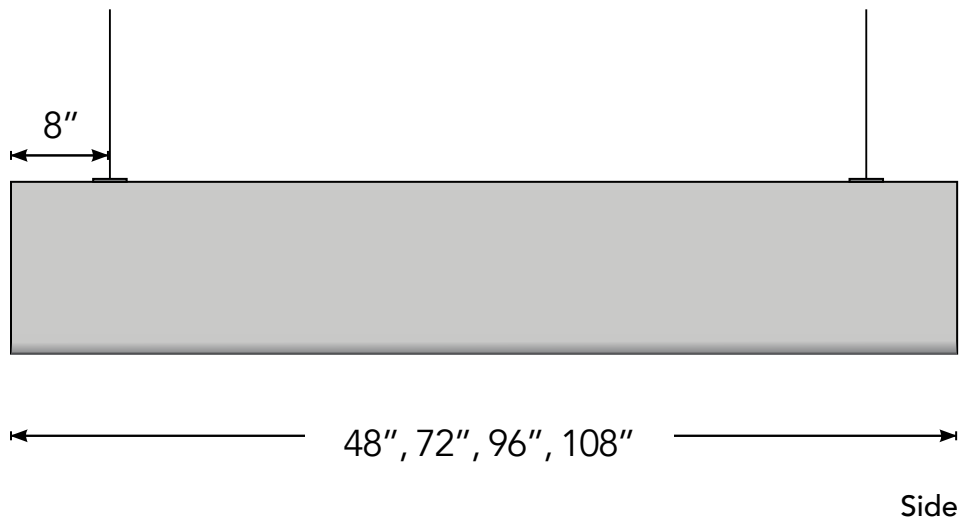


Protect the edges.

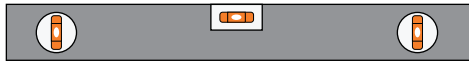


DIMENSIONS

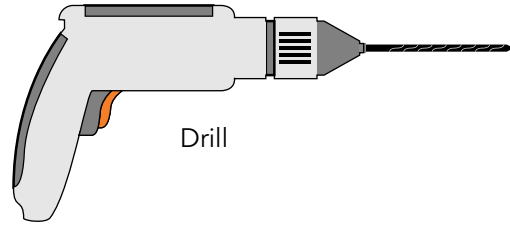
U Baffle



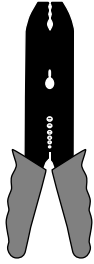
TOOLS NEEDED



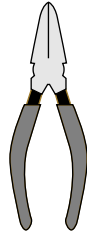
Level



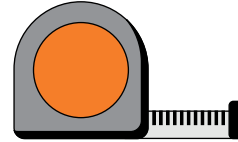
Drill



Crimper



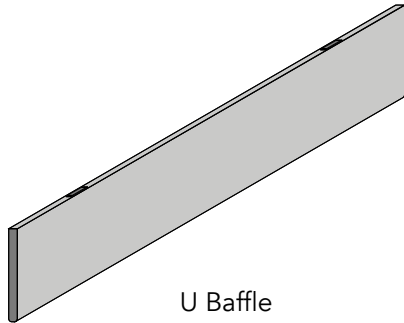
Wire Cutter



Tape Measure

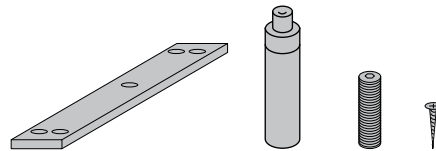
Not all tools are needed for installation, but depending on install choice, could be used.

ITEMS INCLUDED



U Baffle

- Per style and quantity ordered.



Hardware Kit

- (2) Flat brackets
- (2) Griplocks, eyelets, or set screws
- (2) Added .5" set screws if griplock is used
- (8) Screws
- (1) Hardware kit per baffle

OPTIONAL (NON-INCLUDED) ITEMS



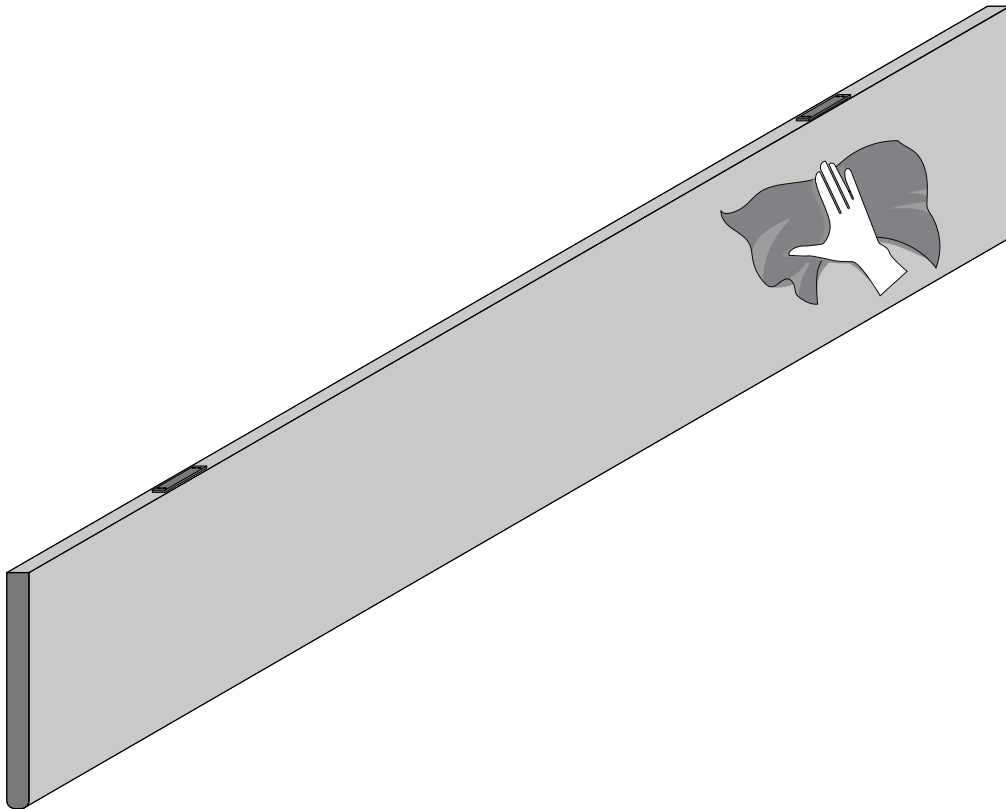
Aircraft Cable

These are optional items that could potentially be used depending on installation.

INSTALLATION

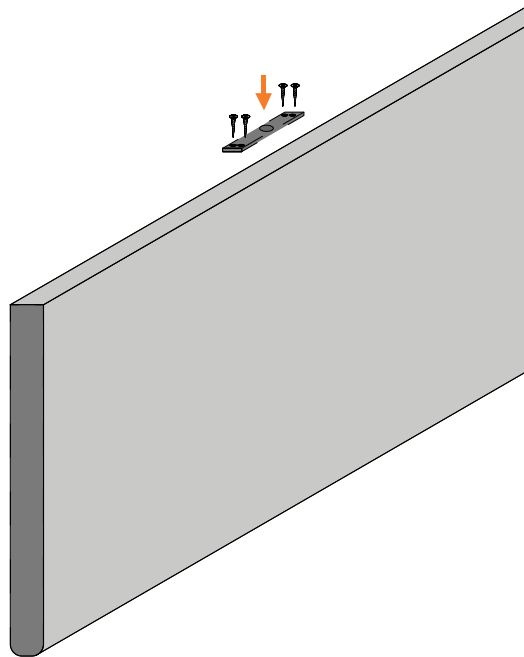
The safest and easiest install is achieved by evaluating the location in advance to determine and ensure that cable path from ceiling is unobstructed. Typically two people are needed for most install applications. Baffles are shipped ready to install, no assembly required.

- 1 Remove baffle(s) from the box confirm color, undamaged condition, compatibility of hanging hardware, and clean any debris off the baffle.



INSTALLATION

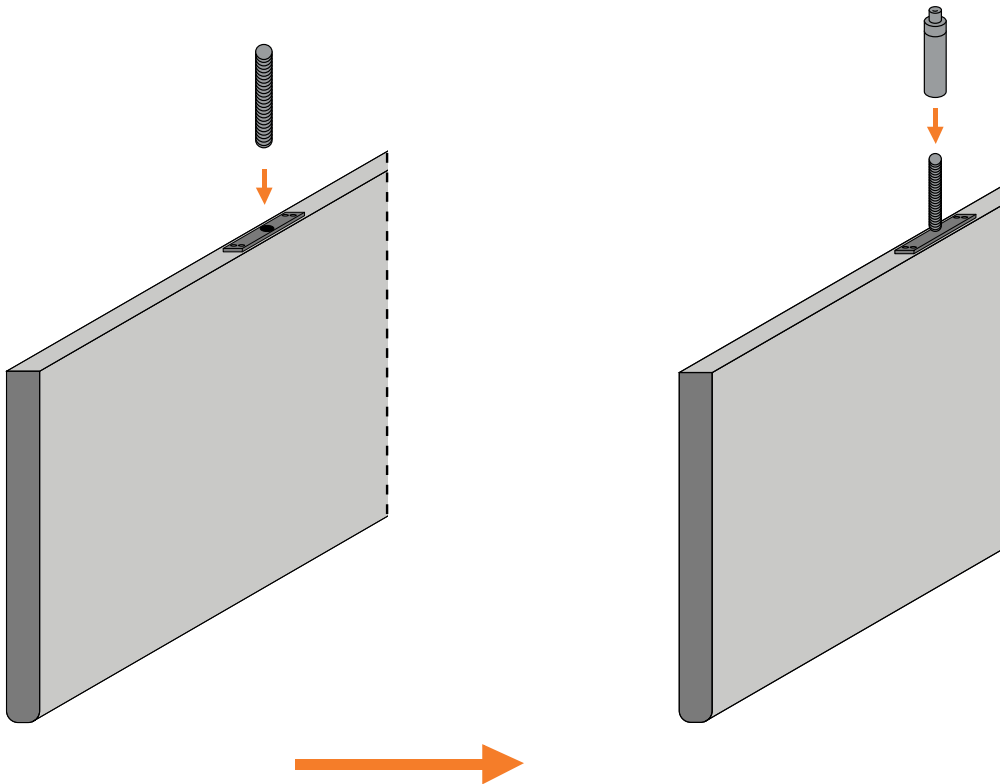
- 2** Measure and mark the center point of the flat bracket placement. Kirei recommends 8 inches from the edge of the baffle, but can be adjusted based on ceiling installation needs. Use provided screws to attach flat bracket.



INSTALLATION

- 3 Next attach the cable gripper hardware to baffle.

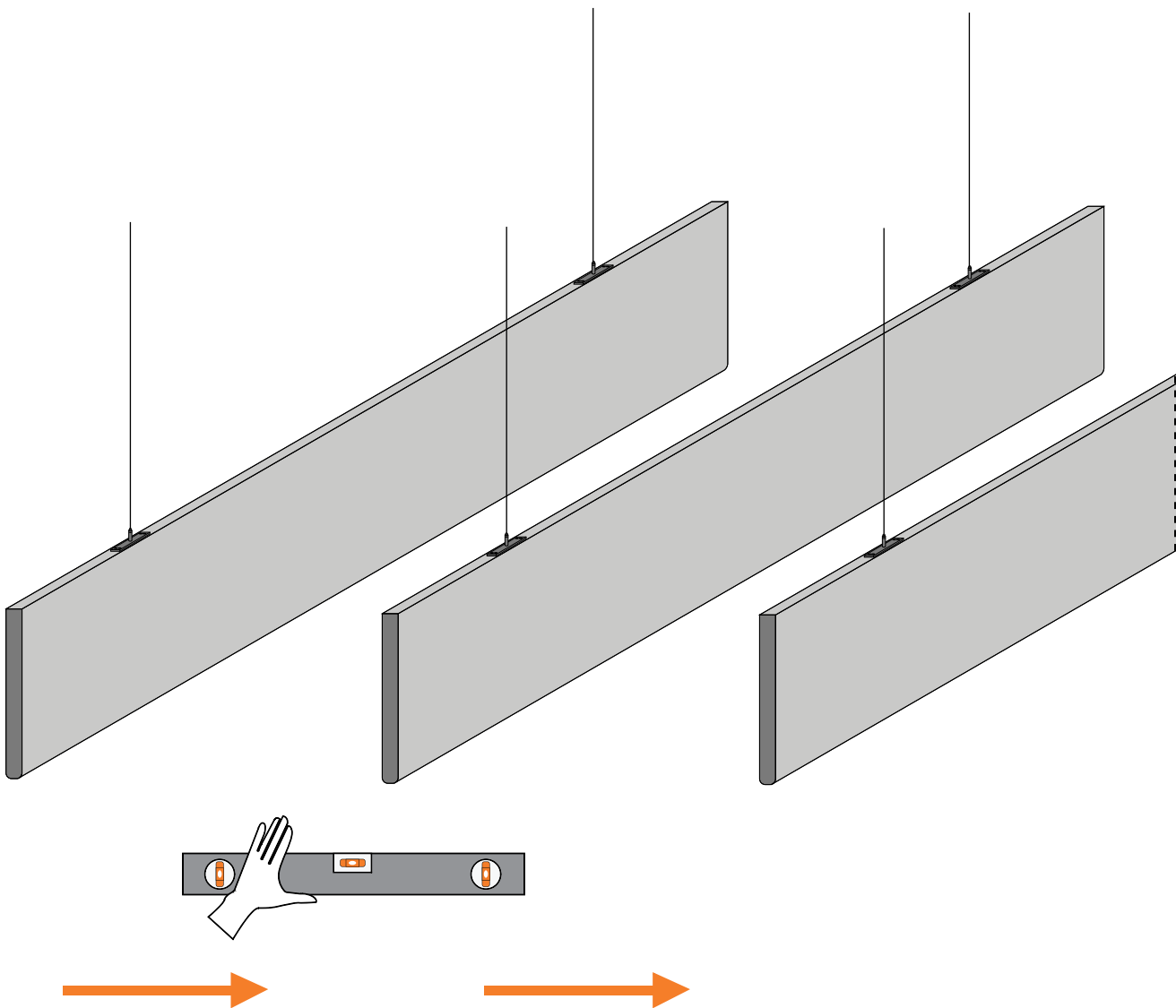
First insert the screws (or preferred hardware) into the holes of the attached flat bracket hardware on the baffle. Then fasten the cable gripper hardware onto the screw.



INSTALLATION

- 4 Assess the baffle design in relation to the hanging points and securely mount the appropriate ceiling hardware. Attach cable to ceiling hardware and then string cable through the cable gripper on baffle(s). Level baffle(s) by adjusting cable in the cable gripper hole to correct length. Wipe any fingerprints or acquired dirt from the end-caps with provided cloth.

Note: Ceiling mounting hardware and suspension items are not included.



Carnegie Xorel ARTFORM®

Phone: 800.727.6770

Email: acousticsolutions@carnegiefabrics.com

Web: carnegieacousticsolutions.com